



P1S-AZ

Solid State Relay

AC resistive loads switching.

One open contact

3A @ 24 250V AC, 50/60 Hz

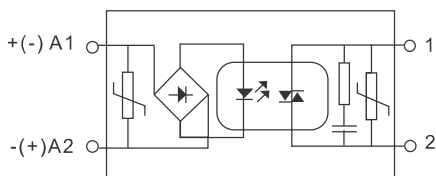


Input

Polarity protec

Range Of Input Voltage	5 ...32 VDC
Drop-out Voltage	< 2.5 VDC
Input Current	5 ... 15 mA
Current Stabilizer	Yes
Peak Inrush Voltage Protection	EC-1000-4-5 level 1

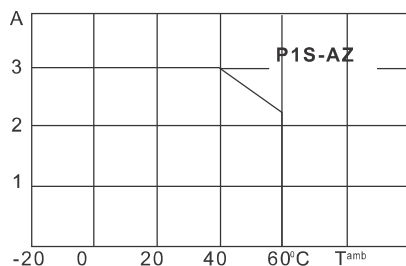
P1S-AZ AC synchronized to zero



Out, Synchronized to Zero

Max. Output Current	3A
Minimum Output Current	50mA
Max. Output Voltage	250 VAC
Minimum Output Voltage	24 VAC
Max. Drop Out Voltage	< 1.5 VAC
Max. Leakage Current At 48 Vdc	0.55 mA
Max. Dv/dt	500 V/us
I ² t for 10ms. Fuse	50 A ² /s

Max. DC load vs. Ambient Temperature



Specifications

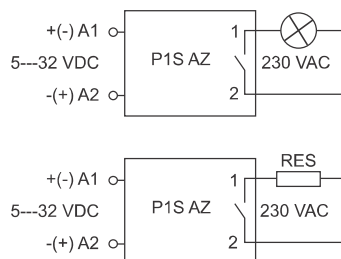
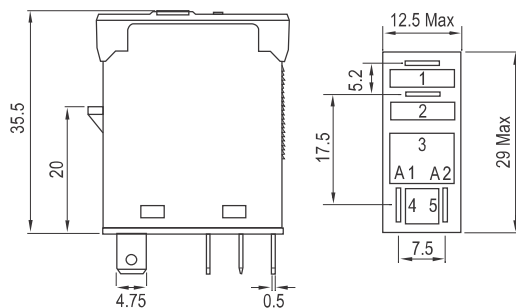
DI-electric Strength Input / Output	4 KV / 1min.
Operate Time	1/2 cycle
Release Time	2 ms +1/2 cycle
Working Temperature max.	60°C
Storage temperature	100°C
Weight	28 gr. Max.

Application

It switches AC resistive loads upto 3A / 250V AC in the zero point of the tension and avoids any over current peak in the connection. Suitable to switch resistors, incandescent lamp, signaling etc. Not suitable for inductive loads

Not suitable for Inductive loads

Dimensions in mm.



Approvals

